

Svejsebolte –

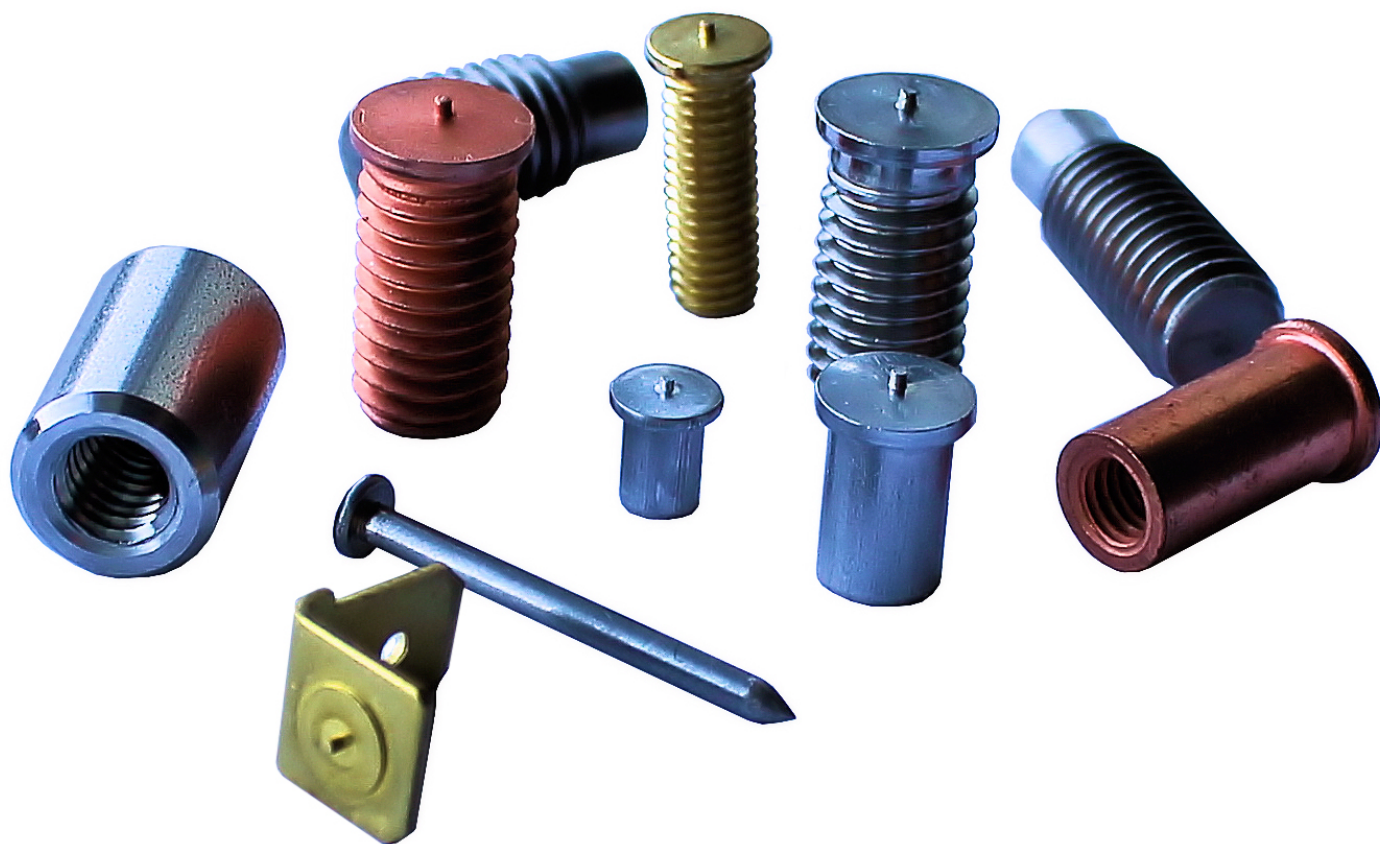
Kodensatorsvejsning

Welding Studs –

Capacitor Discharge

Schweißbolzen –

Spitzenzunding



# DABOTEK

Birkedam 10 S, DK 6000 Kolding sales@dabotek.com; www.dabotek.com



## Indhold



|  |    |
|--|----|
| CD (Capacitor Discharge) Stud welding Machines .....   | 3  |
| CD (Spitzenündung) Bolzenschweißgeräte.....  | 3  |
| CD (Kondensatorsvejsning) Boltesvejsmaskiner.....  | 3  |
| Chuck   Bolzenhalter   Bolteholder.....  | 3  |
| PT Threaded welding studs   PT Gewindebolzen   PT Gevindbolt - M3-M4.....                    | -4 |
| PT Threaded welding studs   PT Gewindebolzen   PT Gevindbolt - M5-M6 .....                   | 5  |
| PT Threaded welding studs   PT Gewindebolzen   PT Gevindbolt – M8-M10.....                   | 6  |
| UT Stift - Ø3-Ø4 .....   | 7  |
| UT Stift - Ø5-Ø6 .....   | 8  |
| UT Stift – Ø7,1-Ø8,0.....  | 9  |
| IT (internal thraded studs)   IT (innengewindebüchse)   IT Bøs - M3-M4.....                  | 10 |
| IT (internal thraded studs)   IT (innengewindebüchse)   IT Bøs - M5-M6.....                  | 10 |
| CD Insulation pin   CD isolerstift   CD Isoleringsstift (220 V).....                         | 12 |
| CD Earthtags   CD Flachstecker   CD Svejsebolte – CD Spadestik .....                         | 13 |
| CD Earthtags double   CD Flachstecker   CD Svejsebolte – CD Spadestik .....                  | 13 |
| Cuphead pins   Tellerclips   Tallerkenklips .....  | 14 |
| Cuphead pins   Tellerclips   Tallerkenklips .....  | 15 |
| Cuphead pins   Tellerclips   Tallerkenklips .....  | 16 |
| Xmas tree studs .....  | 17 |
| CD Tapped Stud no flange   CD Gevindbolte uden flange .....                                  | 17 |
| UNC Threaded stud full flange   UNC Gevindbolte fuld flange .....                            | 18 |
| UNF Threaded stud full flange   UNF Gevindbolte fuld flange .....                            | 19 |
| Bi Metal Iso Stift Stål /alu, Bi Metalic Iso Pin Steel / Alu, Verbundstift Stahl / Alu ..... | 20 |
| CD Collar Studs   CD Kravebolt .....   | 21 |
| CD Shoulder Studs   CD Skulderbolt.....  | 21 |
| BW Weld Stud pkt. up   Punktsvejsebolt   BW svejsebolt pkt. op.....                          | 22 |
| BW weld stud pkt. down   Punktsvejsebolt   BW svejsebolt pkt. ned .....                      | 22 |
| CD Pigtail Weld Studs   CD Grissehale svejsebolt   CD Greisenhalter.....                     | 23 |








## CD (Capacitor Discharge) Stud welding Machines

## CD (Spitzenzündung) Bolzenschweißgeräte

## CD (Kondensatorsvejsning) Boltesvejsmaskiner

| Type         | Data  | Welding guns<br>Schweißpistolen<br>Svejsepistol / Tilbehør | Picture<br>Foto<br>Billede  |
|--------------|---|--|---|
| <b>TS306</b> | Strømkilde: 44000 $\mu$ F<br>110-240 V AC / 600VA<br>Svejsetid: 3 mS<br>13 bolte/min<br>Svejsesområde: 3-6 mm<br>220x190x430 (H x B x D)<br>Vægt: 9 kg<br>Produktnummer: 600558     | Svejsepistol: HP TSK310<br>HP TSG310                       |  |
| <b>BS310</b> | Strømkilde: 99000 $\mu$ F<br>110-240 V AC / 600VA<br>Svejsetid: 3 mS –<br>13 bolte/min<br>Svejsesområde: 3-10 mm<br>220x190x430 (H x B x D)<br>Vægt: 11 kg<br>Produktnummer: 600586 |  |  |

## Chuck | Bolzenhalter | Bolteholder

|   | Type A  | Type B  | Type C  | Type D  |
|---|---|---|---|---|
|  |  |  |  |  |
|   | d <sub>1</sub> = 10 mm<br>d <sub>2</sub> = 10 mm                                    | d <sub>1</sub> = 10 mm<br>d <sub>2</sub> = 12 mm                                    | d <sub>1</sub> = 12 mm<br>d <sub>2</sub> = 10 mm                                      | d <sub>1</sub> = 12 mm<br>d <sub>2</sub> = 12 mm                                      |


Type A : Standard for DABOTEK og en række andre fabrikater

Type B : Forstærket til svejsning af 8 mm og 10 mm bolte

Type C : Standard for OBO-Tucker.

Type D : Standard for ESP 9 svejsepistol

|        | Ø2,6    | Ø3,0    | Ø4,0    | Ø5,0    | Ø6,0    | Ø7,1    | Ø8,0     | Ø10      |
|--------|---------|---------|---------|---------|---------|---------|----------|----------|
| Type A | 8250025 | 8250003 | 8250004 | 8250005 | 8250006 | 8250071 | 8250008  | 8250010  |
| Type B |         |         |         |         |         |         | 8250008a | 8252010a |
| Type C | 8350026 | 8350003 | 8350004 | 8350005 | 8350006 | 8350071 | 8350008  | 8350010  |
| Type D |         | 8450003 | 8450004 | 8450005 | 8450006 | 8450071 | 8450008  | 8450010  |

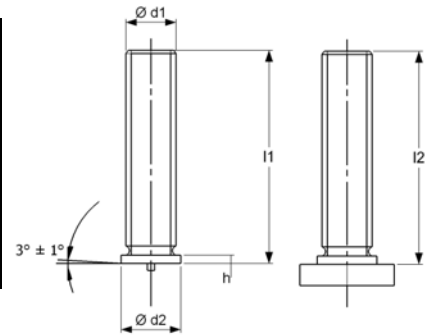
| Bolteholder forlængelse                 | Art nr   Part No   Bestell-Nr |   |
|---|-------------------------------|---|
| Chuck extension<br>Anschlagverlängerung | 80-40-081                     |  |



## PT Threaded welding studs | PT Gewindebolzen | PT Gevindbolt



| d <sub>1</sub> | L         | d <sub>2</sub> | h       |
|----------------|-----------|----------------|---------|
| M3             | 6-50 mm   | 4,5            | 0,7-1,4 |
| M4             | 6-50 mm   | 5,5            | 0,8-1,4 |
| M5             | 5-65 mm   | 6,5            | 0,8-1,4 |
| M6             | 6-90 mm   | 7,5            | 0,8-1,4 |
| M8             | 10-100 mm | 9,0            | 0,8-1,4 |
| M10            | 12-75 mm  | 11,0           | 0,8-1,4 |



### PT Gevinbolte M3

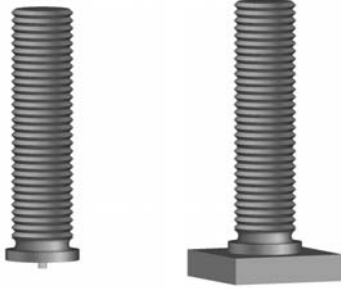
| Dimension | 4,8     | A2      | Messing<br>(CuZn37) | Almg3   | A4<br>1,4404 | A4<br>1,4571 | Bolteholder |
|-----------|---------|---------|---------------------|---------|--------------|--------------|-------------|
| M3x 6     | 1103006 | 1203006 | 1303006             | 1403006 | 1503006      | 1603006      | 8250003     |
| M3x 8     | 1103008 | 1203008 | 1303008             | 1403008 | 1503008      | 1603008      |             |
| M3x10     | 1103010 | 1203010 | 1303010             | 1403010 | 1503010      | 1603010      |             |
| M3x12     | 1103012 | 1203012 | 1303012             | 1403012 | 1503012      | 1603012      |             |
| M3x16     | 1103016 | 1203016 | 1303016             | 1403016 | 1503016      | 1603016      |             |
| M3x20     | 1103020 | 1203020 | 1303020             | 1403020 | 1503020      | 1603020      |             |
| M3x25     | 1103025 | 1203025 | 1303025             | 1403025 | 1503025      | 1603025      |             |
| M3x30     | 1103030 | 1203030 | 1303030             | 1403030 | 1503030      | 1603030      |             |
| M3x35     | 1103035 | 1203035 | 1303035             | 1403035 | 1503035      | 1603035      |             |
| M3x40     | 1103040 | 1203040 | 1303040             | 1403040 | 1503040      | 1603040      |             |
| M3x45     | 1103045 | 1203045 | 1303045             | 1403045 | 1503045      | 1603045      |             |
| M3x50     | 1103050 | 1203050 | 1303050             | 1403050 | 1503050      | 1603050      |             |

### PT Gevinbolte M4

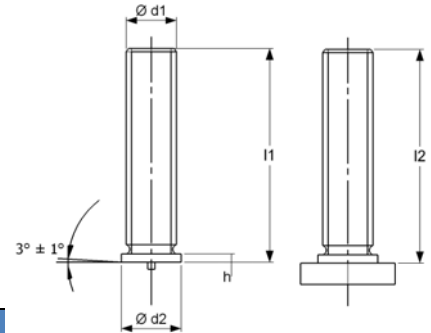
| Dimension | 4,8     | A2      | Messing<br>(CuZn37) | Almg3   | A4<br>1,4404 | A4<br>1,4571 | Bolteholder |
|-----------|---------|---------|---------------------|---------|--------------|--------------|-------------|
| M4x 6     | 1104006 | 1204006 | 1304006             | 1404006 | 1504006      | 1604006      | 8250004     |
| M4x 8     | 1104008 | 1204008 | 1304008             | 1404008 | 1504008      | 1604008      |             |
| M4x10     | 1104010 | 1204010 | 1304010             | 1404010 | 1504010      | 1604010      |             |
| M4x12     | 1104012 | 1204012 | 1304012             | 1404012 | 1504012      | 1604012      |             |
| M4x16     | 1104016 | 1204016 | 1304016             | 1404016 | 1504016      | 1604016      |             |
| M4x20     | 1104020 | 1204020 | 1304020             | 1404020 | 1504020      | 1604020      |             |
| M4x25     | 1104025 | 1204025 | 1304025             | 1404025 | 1504025      | 1604025      |             |
| M4x30     | 1104030 | 1204030 | 1304030             | 1404030 | 1504030      | 1604030      |             |
| M4x35     | 1104035 | 1204035 | 1304035             | 1404035 | 1504035      | 1604035      |             |
| M4x40     | 1104040 | 1204040 | 1304040             | 1404040 | 1504040      | 1604040      |             |
| M4x45     | 1104045 | 1204045 | 1304045             | 1404045 | 1504045      | 1604045      |             |
| M4x50     | 1104050 | 1204050 | 1304050             | 1404050 | 1504050      | 1604050      |             |



## PT Threaded welding studs | PT Gewindebolzen | PT Gevindbolt



| d1  | L         | d2   | h       |
|-----|-----------|------|---------|
| M3  | 6-50 mm   | 4,5  | 0,7-1,4 |
| M4  | 6-50 mm   | 5,5  | 0,8-1,4 |
| M5  | 5-65 mm   | 6,5  | 0,8-1,4 |
| M6  | 6-90 mm   | 7,5  | 0,8-1,4 |
| M8  | 10-100 mm | 9,0  | 0,8-1,4 |
| M10 | 12-75 mm  | 11,0 | 0,8-1,4 |



### PT Gevinbolte M5

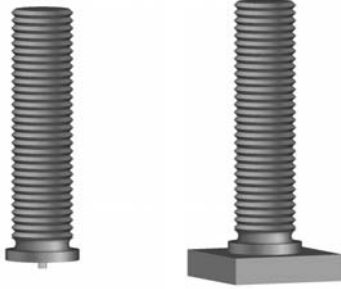
| Dimension | 4,8     | A2      | Messing<br>(CuZn37) | Almg3   | A4<br>1,4404 | A4<br>1,4571 | Bolteholder |
|-----------|---------|---------|---------------------|---------|--------------|--------------|-------------|
| M5x 6     | 1105006 | 1205006 | 1305006             | 1405006 | 1505006      | 1605006      | 8250005     |
| M5x 8     | 1105008 | 1205008 | 1305008             | 1405008 | 1505008      | 1605008      |             |
| M5x10     | 1105010 | 1205010 | 1305010             | 1405010 | 1505010      | 1605010      |             |
| M5x12     | 1105012 | 1205012 | 1305012             | 1405012 | 1505012      | 1605012      |             |
| M5x16     | 1105016 | 1205016 | 1305016             | 1405016 | 1505016      | 1605016      |             |
| M5x20     | 1105020 | 1205020 | 1305020             | 1405020 | 1505020      | 1605020      |             |
| M5x25     | 1105025 | 1205025 | 1305025             | 1405025 | 1505025      | 1605025      |             |
| M5x30     | 1105030 | 1205030 | 1305030             | 1405030 | 1505030      | 1605030      |             |
| M5x35     | 1105035 | 1205035 | 1305035             | 1405035 | 1505035      | 1605035      |             |
| M5x40     | 1105040 | 1205040 | 1305040             | 1405040 | 1505040      | 1605040      |             |
| M5x45     | 1105045 | 1205045 | 1305045             | 1405045 | 1505045      | 1605045      |             |
| M5x50     | 1105050 | 1205050 | 1305050             | 1405050 | 1505050      | 1605050      |             |
| M5x55     | 1105055 | 1205055 | 1305055             | 1405055 | 1505055      | 1605055      |             |
| M5x60     | 1105060 | 1205060 | 1305060             | 1405060 | 1505060      | 1605060      |             |
| M5x65     | 1105065 | 1205065 | 1305065             | 1405065 | 1505065      | 1655065      |             |

### PT Gevinbolte M6

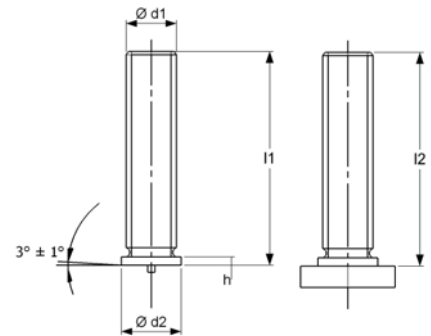
| Dimension | 4,8     | A2      | Messing<br>(CuZn37) | Almg3   | A4<br>1,4404 | A4<br>1,4571 | Bolteholder |
|-----------|---------|---------|---------------------|---------|--------------|--------------|-------------|
| M6x 6     | 1106006 | 1206006 | 1306006             | 1406006 | 1506006      | 1606006      | 8250006     |
| M6x 8     | 1106008 | 1206008 | 1306008             | 1406008 | 1506008      | 1606008      |             |
| M6x10     | 1106010 | 1206010 | 1306010             | 1406010 | 1506010      | 1606010      |             |
| M6x12     | 1106012 | 1206012 | 1306012             | 1406012 | 1506012      | 1606012      |             |
| M6x16     | 1106016 | 1206016 | 1306016             | 1406016 | 1506016      | 1606016      |             |
| M6x20     | 1106020 | 1206020 | 1306020             | 1406020 | 1506020      | 1606020      |             |
| M6x25     | 1106025 | 1206025 | 1306025             | 1406025 | 1506025      | 1606025      |             |
| M6x30     | 1106030 | 1206030 | 1306030             | 1406030 | 1506030      | 1606030      |             |
| M6x35     | 1106035 | 1206035 | 1306035             | 1406035 | 1506035      | 1606035      |             |
| M6x40     | 1106040 | 1206040 | 1306040             | 1406040 | 1506040      | 1606040      |             |
| M6x45     | 1106045 | 1206045 | 1306045             | 1406045 | 1506045      | 1606045      |             |
| M6x50     | 1106050 | 1206050 | 1306050             | 1406050 | 1506050      | 1606050      |             |
| M6x55     | 1106055 | 1206055 | 1306055             | 1406055 | 1556055      | 1606055      |             |
| M6x60     | 1106060 | 1206060 | 1306060             | 1406060 | 1606060      | 1606060      |             |
| M6x65     | 1106565 | 1206565 | 1306565             | 1406565 | 1656565      | 1656565      |             |



## PT Threaded welding studs | PT Gewindebolzen | PT Gevinbolt



| d1  | L         | d2   | h       |
|-----|-----------|------|---------|
| M3  | 6-50 mm   | 4,5  | 0,7-1,4 |
| M4  | 6-50 mm   | 5,5  | 0,8-1,4 |
| M5  | 5-65 mm   | 6,5  | 0,8-1,4 |
| M6  | 6-90 mm   | 7,5  | 0,8-1,4 |
| M8  | 10-100 mm | 9,0  | 0,8-1,4 |
| M10 | 12-75 mm  | 11,0 | 0,8-1,4 |



### PT Gevinbolte M8

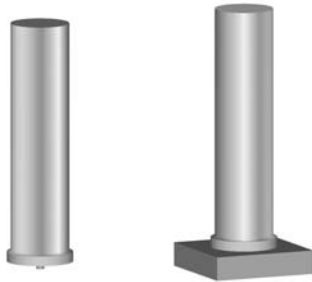
| Dimension | 4,8     | A2      | Messing<br>(CuZn37) | Almg3   | A4<br>1,4404 | A4<br>1,4571 | Bolteholder |
|-----------|---------|---------|---------------------|---------|--------------|--------------|-------------|
| M8x 6     | 1108006 | 1208006 | 1308006             | 1408006 | 1508006      | 1608006      | 8250008     |
| M8x 8     | 1108008 | 1208008 | 1308008             | 1408008 | 1508008      | 1608008      |             |
| M8x10     | 1108010 | 1208010 | 1308010             | 1408010 | 1508010      | 1608010      |             |
| M8x12     | 1108012 | 1208012 | 1308012             | 1408012 | 1508012      | 1608012      |             |
| M8x16     | 1108016 | 1208016 | 1308016             | 1408016 | 1508016      | 1608016      |             |
| M8x20     | 1108020 | 1208020 | 1308020             | 1408020 | 1508020      | 1608020      |             |
| M8x25     | 1108025 | 1208025 | 1308025             | 1408025 | 1508025      | 1608025      |             |
| M8x30     | 1108030 | 1208030 | 1308030             | 1408030 | 1508030      | 1608030      |             |
| M8x35     | 1108035 | 1208035 | 1308035             | 1408035 | 1508035      | 1608035      |             |
| M8x40     | 1108040 | 1208040 | 1308040             | 1408040 | 1508040      | 1608040      |             |
| M8x45     | 1108045 | 1208045 | 1308045             | 1408045 | 1508045      | 1608045      |             |
| M8x50     | 1108050 | 1208050 | 1308050             | 1408050 | 1508050      | 1608050      |             |
| M8x55     | 1108055 | 1208055 | 1308055             | 1408055 | 1508055      | 1608055      |             |
| M8x60     | 1108060 | 1208060 | 1308060             | 1408060 | 1508060      | 1608060      |             |
| M8x70     | 1108070 | 1208070 | 1308070             | 1408070 | 1508070      | 1608070      |             |
| M8x90     | 1108090 | 1208090 | 1308090             | 1408090 | 1508090      | 1608090      |             |

### PT Gevinbolte M10

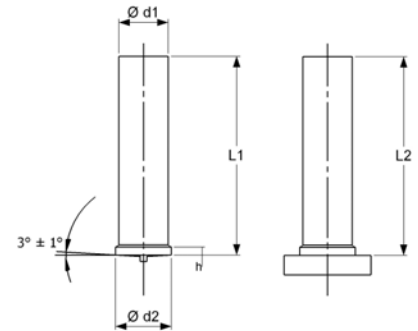
| Dimension | 4,8     | A2      | Messing<br>(CuZn37) | Almg3   | A4<br>1,4404 | A4<br>1,4571 | Bolteholder |
|-----------|---------|---------|---------------------|---------|--------------|--------------|-------------|
| M10x 6    | 1110006 | 1210006 | 1310006             | 1410006 | 1510006      | 1610006      | 8250010     |
| M10x 8    | 1110008 | 1210008 | 1310008             | 1410008 | 1510008      | 1610008      |             |
| M10x10    | 1110010 | 1210010 | 1310010             | 1410010 | 1510010      | 1610010      |             |
| M10x12    | 1110012 | 1210012 | 1310012             | 1410012 | 1510012      | 1610012      |             |
| M10x16    | 1110016 | 1210016 | 1310016             | 1410016 | 1510016      | 1610016      |             |
| M10x20    | 1110020 | 1210020 | 1310020             | 1410020 | 1510020      | 1610020      |             |
| M10x25    | 1110025 | 1210025 | 1310025             | 1410025 | 1510025      | 1610025      |             |
| M10x30    | 1110030 | 1210030 | 1310030             | 1410030 | 1510030      | 1610030      |             |
| M10x35    | 1110035 | 1210035 | 1310035             | 1410035 | 1510035      | 1610035      |             |
| M10x40    | 1110040 | 1210040 | 1310040             | 1410040 | 1510040      | 1610040      |             |
| M10x45    | 1110045 | 1210045 | 1310045             | 1410045 | 1510045      | 1610045      |             |
| M10x50    | 1110050 | 1210050 | 1310050             | 1410050 | 1510050      | 1610050      |             |



## UT Stift



| d1   | L        | d2   | h       |
|------|----------|------|---------|
| Ø3   | 6-35 mm  | 4,5  | 0,7-1,4 |
| Ø4   | 8-55 mm  | 5,5  | 0,7-1,4 |
| Ø5   | 8-60 mm  | 6,5  | 0,8-1,4 |
| Ø6   | 8-90 mm  | 7,5  | 0,8-1,4 |
| Ø7,1 | 8-100 mm | 9,0  | 0,8-1,4 |
| Ø8   | 8-75 mm  | 11,0 | 0,8-1,4 |
| M10  | 12-75 mm | 11,0 | 0,8-1,4 |



### UT Stift 3 mm

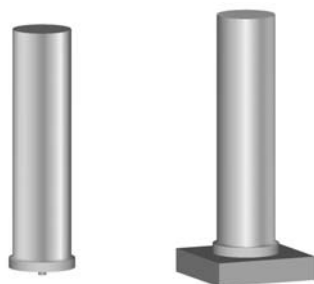
| Dimension | St 37   | Rustfri | Messing | Almg    | A4   1.4404 | A4   1.4571 | Bolteholder |
|-----------|---------|---------|---------|---------|-------------|-------------|-------------|
| Ø3x 6     | 2103006 | 2203006 | 2303006 | 2403006 | 2503006     | 2603006     | 8250003     |
| Ø3x 8     | 2103008 | 2203008 | 2303008 | 2403008 | 2503008     | 2603008     |             |
| Ø3x10     | 2103010 | 2203010 | 2303010 | 2403010 | 2503010     | 2603010     |             |
| Ø3x12     | 2103012 | 2203012 | 2303012 | 2403012 | 2503012     | 2603012     |             |
| Ø3x16     | 2103016 | 2203016 | 2303016 | 2403016 | 2503016     | 2603016     |             |
| Ø3x20     | 2103020 | 2203020 | 2303020 | 2403020 | 2503020     | 2603020     |             |
| Ø3x25     | 2103025 | 2203025 | 2303025 | 2403025 | 2503025     | 2603025     |             |
| Ø3x30     | 2103030 | 2203030 | 2303030 | 2403030 | 2503030     | 2603030     |             |
| Ø3x35     | 2103035 | 2203035 | 2303035 | 2403035 | 2503035     | 2603035     |             |
| Ø3x40     | 2103040 | 2203040 | 2303040 | 2403040 | 2503040     | 2603040     |             |
| Ø3x45     | 2103045 | 2203045 | 2303045 | 2403045 | 2503045     | 2603045     |             |
| Ø3x50     | 2103050 | 2203050 | 2303050 | 2403050 | 2503050     | 2603050     |             |
| Ø3x55     | 2103055 | 2203055 | 2303055 | 2403055 | 2503055     | 2603055     |             |
| Ø3x60     | 2103060 | 2203060 | 2303060 | 2403060 | 2503060     | 2603060     |             |

### UT Stift 4 mm

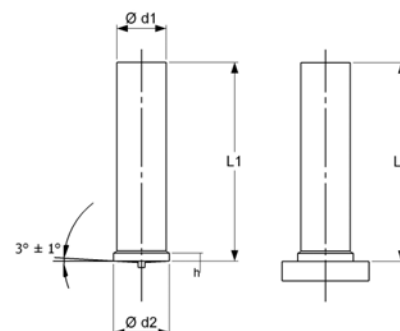
| Dimension | St 37   | Rustfri | Messing | Almg    | A4 1.4401 | A4 1.4571 | Bolteholder |
|-----------|---------|---------|---------|---------|-----------|-----------|-------------|
| Ø4x 6     | 2104006 | 2204006 | 2304006 | 2404006 | 2504006   | 2604006   | 8250004     |
| Ø4x 8     | 2104008 | 2204008 | 2304008 | 2404008 | 2504008   | 2604008   |             |
| Ø4x10     | 2104010 | 2204010 | 2304010 | 2404010 | 2504010   | 2604010   |             |
| Ø4x12     | 2104012 | 2204012 | 2304012 | 2404012 | 2504012   | 2604012   |             |
| Ø4x16     | 2104016 | 2204016 | 2304016 | 2404016 | 2504016   | 2604016   |             |
| Ø4x20     | 2104020 | 2204020 | 2304020 | 2404020 | 2504020   | 2604020   |             |
| Ø4x25     | 2104025 | 2204025 | 2304025 | 2404025 | 2504025   | 2604025   |             |
| Ø4x30     | 2104030 | 2204030 | 2304030 | 2404030 | 2504030   | 2604030   |             |
| Ø4x35     | 2104035 | 2204035 | 2304035 | 2404035 | 2504035   | 2604035   |             |
| Ø4x40     | 2104040 | 2204040 | 2304040 | 2404040 | 2504040   | 2604040   |             |
| Ø4x45     | 2104045 | 2204045 | 2304045 | 2404045 | 2504045   | 2604045   |             |
| Ø4x50     | 2104050 | 2204050 | 2304050 | 2404050 | 2504050   | 2604050   |             |
| Ø4x55     | 2104055 | 2204055 | 2304055 | 2404055 | 2504055   | 2604055   |             |
| Ø4x60     | 2104060 | 2204060 | 2304060 | 2404060 | 2504060   | 2604060   |             |
| Ø4x65     | 2104065 | 2204065 | 2304065 | 2404065 | 2504065   | 2604065   |             |



## UT Stift



| d1   | L        | d2   | h       |
|------|----------|------|---------|
| Ø3   | 6-35 mm  | 4,5  | 0,7-1,4 |
| Ø4   | 8-55 mm  | 5,5  | 0,7-1,4 |
| Ø5   | 8-60 mm  | 6,5  | 0,8-1,4 |
| Ø6   | 8-90 mm  | 7,5  | 0,8-1,4 |
| Ø7,1 | 8-100 mm | 9,0  | 0,8-1,4 |
| Ø8   | 8-75 mm  | 11,0 | 0,8-1,4 |
| M10  | 12-75 mm | 11,0 | 0,8-1,4 |



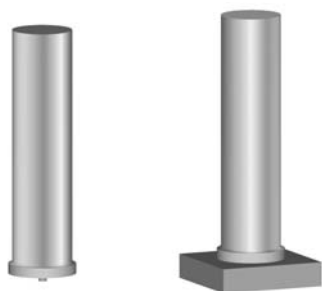
| UT Stiff 5 mm |         |         |         |         |             |             |             |
|---------------|---------|---------|---------|---------|-------------|-------------|-------------|
| Dimension     | St 37   | Rustfri | Messing | Almg    | A4   1.4404 | A4   1.4571 | Bolteholder |
| Ø5x 6         | 2105006 | 2205006 | 2305006 | 2405006 | 2505006     | 2605006     | 8250005     |
| Ø5x 8         | 2105008 | 2205008 | 2305008 | 2405008 | 2505008     | 2605008     |             |
| Ø5x10         | 2105010 | 2205010 | 2305010 | 2405010 | 2505010     | 2605010     |             |
| Ø5x12         | 2105012 | 2205012 | 2305012 | 2405012 | 2505012     | 2605012     |             |
| Ø5x16         | 2105016 | 2205016 | 2305016 | 2405016 | 2505016     | 2605016     |             |
| Ø5x20         | 2105020 | 2205020 | 2305020 | 2405020 | 2505020     | 2605020     |             |
| Ø5x25         | 2105025 | 2205025 | 2305025 | 2405025 | 2505025     | 2605025     |             |
| Ø5x30         | 2105030 | 2205030 | 2305030 | 2405030 | 2505030     | 2605030     |             |
| Ø5x35         | 2105035 | 2205035 | 2305035 | 2405035 | 2505035     | 2605035     |             |
| Ø5x40         | 2105040 | 2205040 | 2305040 | 2405040 | 2505040     | 2605040     |             |
| Ø5x45         | 2105045 | 2205045 | 2305045 | 2405045 | 2505045     | 2605045     |             |
| Ø5x50         | 2105050 | 2205050 | 2305050 | 2405050 | 2505050     | 2605050     |             |
| Ø5x55         | 2105055 | 2205055 | 2305055 | 2405055 | 2505055     | 2605055     |             |
| Ø5x60         | 2105060 | 2205060 | 2305060 | 2405060 | 2505060     | 2605060     |             |

| UT Stiff 6 mm |         |         |         |         |           |           |             |
|---------------|---------|---------|---------|---------|-----------|-----------|-------------|
| Dimension     | St 37   | Rustfri | Messing | Almg    | A4 1.4401 | A4 1.4571 | Bolteholder |
| Ø6x 6         | 2106006 | 2206006 | 2306006 | 2406006 | 2506006   | 2606006   | 8250006     |
| Ø6x 8         | 2106008 | 2206008 | 2306008 | 2406008 | 2506008   | 2606008   |             |
| Ø6x10         | 2106010 | 2206010 | 2306010 | 2406010 | 2506010   | 2606010   |             |
| Ø6x12         | 2106012 | 2206012 | 2306012 | 2406012 | 2506012   | 2606012   |             |
| Ø6x16         | 2106016 | 2206016 | 2306016 | 2406016 | 2506016   | 2606016   |             |
| Ø6x20         | 2106020 | 2206020 | 2306020 | 2406020 | 2506020   | 2606020   |             |
| Ø6x25         | 2106025 | 2206025 | 2306025 | 2406025 | 2506025   | 2606025   |             |
| Ø6x30         | 2106030 | 2206030 | 2306030 | 2406030 | 2506030   | 2606030   |             |
| Ø6x35         | 2106035 | 2206035 | 2306035 | 2406035 | 2506035   | 2606035   |             |
| Ø6x40         | 2106040 | 2206040 | 2306040 | 2406040 | 2506040   | 2606040   |             |
| Ø6x45         | 2106045 | 2206045 | 2306045 | 2406045 | 2506045   | 2606045   |             |
| Ø6x50         | 2106050 | 2206050 | 2306050 | 2406050 | 2506050   | 2606050   |             |
| Ø6x55         | 2106055 | 2206055 | 2306055 | 2406055 | 2506055   | 2606055   |             |
| Ø6x60         | 2106060 | 2206060 | 2306060 | 2406060 | 2506060   | 2606060   |             |
| Ø6x65         | 2106065 | 2206065 | 2306065 | 2406065 | 2506065   | 2606065   |             |

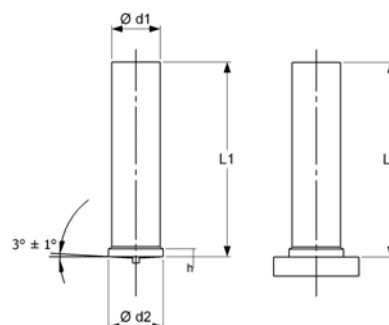




## UT Stift



| d1   | L        | d2   | h       |
|------|----------|------|---------|
| Ø3   | 6-35 mm  | 4,5  | 0,7-1,4 |
| Ø4   | 8-55 mm  | 5,5  | 0,7-1,4 |
| Ø5   | 8-60 mm  | 6,5  | 0,8-1,4 |
| Ø6   | 8-90 mm  | 7,5  | 0,8-1,4 |
| Ø7,1 | 8-100 mm |      | 0,8-1,4 |
| Ø8   | 8-100 mm | 9,0  | 0,8-1,4 |
| M10  | 12-75 mm | 11,0 | 0,8-1,4 |



UT Stift 7,1 mm

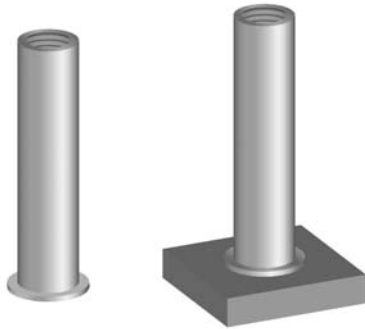
| Dimension | St 37   | Rustfri | Messing | Almg    | A4 1.4401 | A4 1.4571 | Bolteholder |
|-----------|---------|---------|---------|---------|-----------|-----------|-------------|
| Ø7,1x 6   | 2171006 | 2271006 | 2371006 | 2471006 | 2571006   | 2671006   | 8250071     |
| Ø7,1x 8   | 2171008 | 2271008 | 2371008 | 2471008 | 2571008   | 2671008   |             |
| Ø7,1x10   | 2171010 | 2271010 | 2371010 | 2471010 | 2571010   | 2671010   |             |
| Ø7,1x12   | 2171012 | 2271012 | 2371012 | 2471012 | 2571012   | 2671012   |             |
| Ø7,1x16   | 2171016 | 2271016 | 2371016 | 2471016 | 2571016   | 2671016   |             |
| Ø7,1x20   | 2171020 | 2271020 | 2371020 | 2471020 | 2571020   | 2671020   |             |
| Ø7,1x25   | 2171025 | 2271025 | 2371025 | 2471025 | 2571025   | 2671025   |             |
| Ø7,1x30   | 2171030 | 2271030 | 2371030 | 2471030 | 2571030   | 2671030   |             |
| Ø7,1x35   | 2171035 | 2271035 | 2371035 | 2471035 | 2571035   | 2671035   |             |
| Ø7,1x40   | 2171040 | 2271040 | 2371040 | 2471040 | 2571040   | 2671040   |             |
| Ø7,1x45   | 2171045 | 2271045 | 2371045 | 2471045 | 2571045   | 2671045   |             |
| Ø7,1x50   | 2171050 | 2271050 | 2371050 | 2471050 | 2571050   | 2671050   |             |
| Ø7,1x55   | 2171055 | 2271055 | 2371055 | 2471055 | 2571055   | 2671055   |             |
| Ø7,1x60   | 2171060 | 2271060 | 2371060 | 2471060 | 2571060   | 2671060   |             |
| Ø7,1x65   | 2171065 | 2271065 | 2371065 | 2471065 | 2571065   | 2671065   |             |

UT Stift 7,1 mm

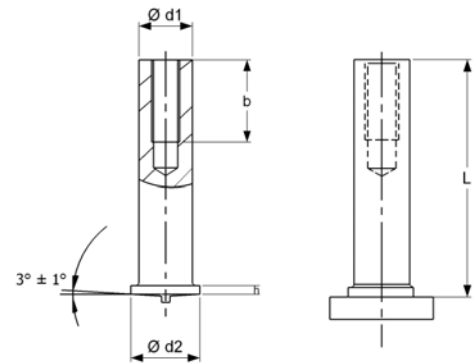
| Dimension | St 37   | Rustfri | Messing | Almg    | A4 1.4401 | A4 1.4571 | Bolteholder |
|-----------|---------|---------|---------|---------|-----------|-----------|-------------|
| Ø8,0x 6   | 2108006 | 2208006 | 2308006 | 2408006 | 2508006   | 2608006   | 8250008     |
| Ø8,0x 8   | 2108008 | 2208008 | 2308008 | 2408008 | 2508008   | 2608008   |             |
| Ø8,0x10   | 2108010 | 2208010 | 2308010 | 2408010 | 2508010   | 2608010   |             |
| Ø8,0x12   | 2108012 | 2208012 | 2308012 | 2408012 | 2508012   | 2608012   |             |
| Ø8,0x16   | 2108016 | 2208016 | 2308016 | 2408016 | 2508016   | 2608016   |             |
| Ø8,0x20   | 2108020 | 2208020 | 2308020 | 2408020 | 2508020   | 2608020   |             |
| Ø8,0x25   | 2108025 | 2208025 | 2308025 | 2408025 | 2508025   | 2608025   |             |
| Ø8,0x30   | 2108030 | 2208030 | 2308030 | 2408030 | 2508030   | 2608030   |             |
| Ø8,0x35   | 2108035 | 2208035 | 2308035 | 2408035 | 2508035   | 2608035   |             |
| Ø8,0x40   | 2108040 | 2208040 | 2308040 | 2408040 | 2508040   | 2608040   |             |
| Ø8,0x45   | 2108045 | 2208045 | 2308045 | 2408045 | 2508045   | 2608045   |             |
| Ø8,0x50   | 2108050 | 2208050 | 2308050 | 2408050 | 2508050   | 2608050   |             |
| Ø8,0x55   | 2108055 | 2208055 | 2308055 | 2408055 | 2508055   | 2608055   |             |
| Ø8,0x60   | 2108060 | 2208060 | 2308060 | 2408060 | 2508060   | 2608060   |             |
| Ø8,0x65   | 2108065 | 2208065 | 2308065 | 2408065 | 2508065   | 2608065   |             |



## IT (internal threaded studs) | IT (innengewindebüchse) | IT Bøs



| d1 | L       | d2  | h       |
|----|---------|-----|---------|
| M3 | 8-35 mm | 4,5 | 0,7-1,4 |
| M4 | 8-35 mm | 5,5 | 0,7-1,4 |
| M5 | 8-35 mm | 6,5 | 0,8-1,4 |
| M6 | 8-35 mm | 7,5 | 0,8-1,4 |



### CD Bøs (indvendig gevind) M3

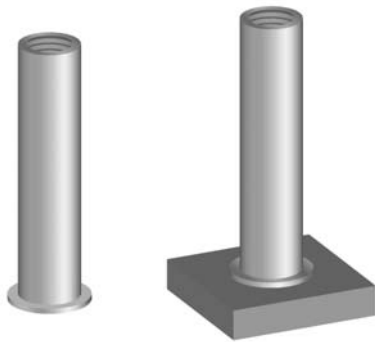
| Dimension | St 37-3K | Rustfri | Messing | Almg3   | A4<br>1,4404 | A4<br>1.4571 | Bolteholder |
|-----------|----------|---------|---------|---------|--------------|--------------|-------------|
| M3 5x 6   | 3135006  | 3235006 | 3335006 | 3435006 | 3535006      | 3635006      | 8250005     |
| M3 5x 8   | 3135008  | 3235008 | 3335008 | 3435008 | 3535008      | 3635008      |             |
| M3 5x10   | 3135010  | 3235010 | 3335010 | 3435010 | 3535010      | 3635010      |             |
| M3 5x12   | 3135012  | 3235012 | 3335012 | 3435012 | 3535012      | 3635012      |             |
| M3 5x16   | 3135016  | 3235016 | 3335016 | 3435016 | 3535016      | 3635016      |             |
| M3 5x20   | 3135020  | 3235020 | 3335020 | 3435020 | 3535020      | 3635020      |             |
| M3 5x25   | 3135025  | 3235025 | 3335025 | 3435025 | 3535025      | 3635025      |             |
| M3 5x30   | 3135030  | 3235030 | 3335030 | 3435030 | 3535030      | 3635030      |             |

### CD Bøs (indvending gevind) Bolt M4

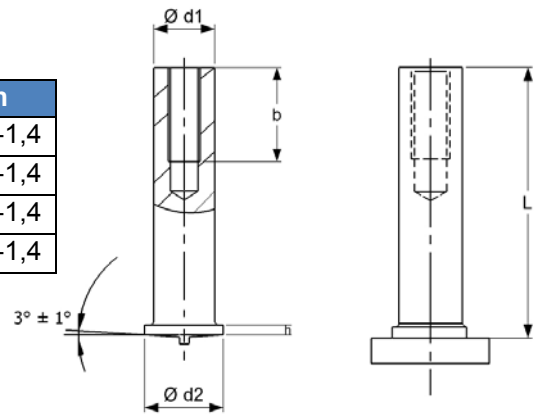
| Dimension | St 37   | Rustfri | Messing | Almg3   | A4<br>1,4404 | A4<br>1.4571 | Bolteholder |
|-----------|---------|---------|---------|---------|--------------|--------------|-------------|
| M4 6x 8   | 3146008 | 3246008 | 3346008 | 3446008 | 3546008      | 3646008      | 8250006     |
| M4 6x10   | 3146010 | 3246010 | 3346010 | 3446010 | 3546010      | 3646010      |             |
| M4 6x12   | 3146012 | 3246012 | 3346012 | 3446012 | 3546012      | 3646012      |             |
| M4 6x15   | 3146015 | 3246015 | 3346015 | 3446015 | 3546015      | 3646015      |             |
| M4 6x16   | 3146016 | 3246016 | 3346016 | 3446016 | 3546016      | 3646016      |             |
| M4 6x20   | 3146020 | 3246020 | 3346020 | 3446020 | 3546020      | 3646020      |             |
| M4 6x25   | 3146025 | 3246025 | 3346025 | 3446025 | 3546025      | 3646025      |             |
| M4 6x30   | 3146030 | 3246030 | 3346030 | 3446030 | 3546030      | 3646030      |             |
| M4 6x35   | 3146035 | 3246035 | 3346035 | 3446035 | 3546035      | 3646035      |             |
| M4 6x40   | 3146040 | 3246040 | 3346040 | 3446040 | 3546040      | 3646040      |             |



## IT (internal threaded studs) | IT (innengewindebüchse) | IT Bøs



| d <sub>1</sub> | L       | d <sub>2</sub> | h       |
|----------------|---------|----------------|---------|
| M3             | 8-35 mm | 4,5            | 0,7-1,4 |
| M4             | 8-35 mm | 5,5            | 0,7-1,4 |
| M5             | 8-35 mm | 6,5            | 0,8-1,4 |
| M6             | 8-35 mm | 7,5            | 0,8-1,4 |



### CD Bøs (indvendig gevind) Bolt M5

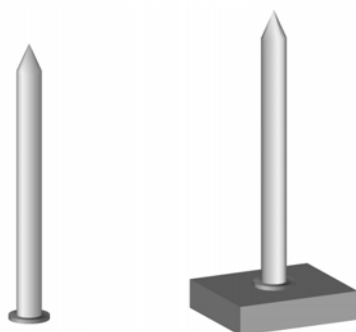
| Dimensions | St 37   | Rustfri | Messing | Almg    | A4<br>1,4404 | A4<br>1.4571 | Bolteholder |
|------------|---------|---------|---------|---------|--------------|--------------|-------------|
| M5 8x 8    | 3157008 | 3257008 | 3357008 | 3457008 | 3557008      | 3657008      | 8250071     |
| M5 8x10    | 3157010 | 3257010 | 3357010 | 3457010 | 3557010      | 3657010      |             |
| M5 8x12    | 3157012 | 3257012 | 3357012 | 3457012 | 3557012      | 3657012      |             |
| M5 8x16    | 3157016 | 3257016 | 3357016 | 3457016 | 3557016      | 3657016      |             |
| M5 8x20    | 3157020 | 3257020 | 3357020 | 3457020 | 3557020      | 3657020      |             |
| M5 8x25    | 3157025 | 3257025 | 3357025 | 3457025 | 3557025      | 3657025      |             |
| M5 8x30    | 3157030 | 3257030 | 3357030 | 3457030 | 3557030      | 3657030      |             |
| M5 8x35    | 3157035 | 3257035 | 3357035 | 3457035 | 3557035      | 3657035      |             |
| M5 8x40    | 3157040 | 3257040 | 3357040 | 3457040 | 3557040      | 3657040      |             |

### CD Bøs (indvendig gevind) Bolt M6

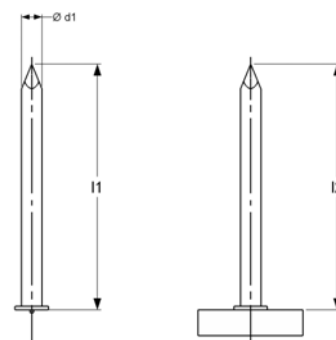
| Dimension | ST37    | Rustfri | Messing | Almg    | A4<br>1,4404 | A4<br>1.4571 | Bolteholder |
|-----------|---------|---------|---------|---------|--------------|--------------|-------------|
| M6 8x10   | 3168010 | 3268010 | 3368010 | 3468010 | 3568010      | 3668010      | 8250008     |
| M6 8x12   | 3168012 | 3268012 | 3368012 | 3468012 | 3568012      | 3668012      |             |
| M6 8x15   | 3168015 | 3268015 | 3368015 | 3468015 | 3568015      | 3668015      |             |
| M6 8x20   | 3168020 | 3268020 | 3368020 | 3468020 | 3568020      | 3668020      |             |
| M6 8x25   | 3168025 | 3268025 | 3368025 | 3468025 | 3568025      | 3668025      |             |
| M6 8x30   | 3168030 | 3268030 | 3368030 | 3468030 | 3568030      | 3668030      |             |



## CD Insulation pin | CD isoleristift | CD Isoleringsstift (220 V)



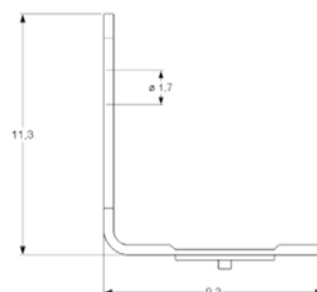
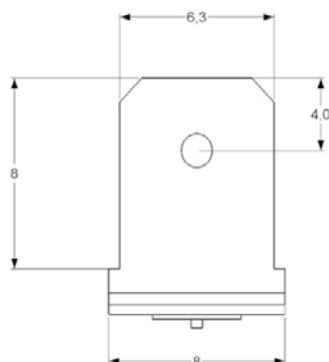
| M    | L         | d1  | d2  | h       |
|------|-----------|-----|-----|---------|
| M2,1 | 15-100 mm | 2,1 | 3,6 | 0,7-1,4 |
| M2,6 | 15-150 mm | 2,6 | 4,5 | 0,7-1,4 |
| M3   | 15-150 mm | 3   | 5,0 | 0,8-1,4 |



| CD ISO Pin |          |         |         |         |              |              |             |
|------------|----------|---------|---------|---------|--------------|--------------|-------------|
| Dimension  | St 37-3K | Rustfri | Almg3   | Almg3   | A4<br>1.4401 | A4<br>1.4571 | Bolteholder |
| Ø          | art nr   | art nr  | art nr  | art nr  |              |              |             |
| 3x15       | 5103015  | 5203015 | 5303015 | 5403015 | 5503015      | 5603015      | 8250003     |
| 3x20       | 5103020  | 5203020 | 5303020 | 5403020 | 5503020      | 5603020      |             |
| 3x25       | 5103025  | 5203025 | 5303025 | 5403025 | 5503025      | 5603025      |             |
| 3x30       | 5103030  | 5203030 | 5303030 | 5403030 | 5503030      | 5603030      |             |
| 3x35       | 5103035  | 5203035 | 5303035 | 5403035 | 5503035      | 5603035      |             |
| 3x40       | 5103040  | 5203040 | 5303040 | 5403040 | 5503040      | 5603040      |             |
| 3x45       | 5103045  | 5203045 | 5303045 | 5403045 | 5503045      | 5603045      |             |
| 3x50       | 5103050  | 5203050 | 5303050 | 5403050 | 5503050      | 5603050      |             |
| 3x55       | 5103055  | 5203055 | 5303055 | 5403055 | 5503055      | 5603055      |             |
| 3x60       | 5103060  | 5203060 | 5303060 | 5403060 | 5503060      | 5603060      |             |
| 3x65       | 5103065  | 5203065 | 5303065 | 5403065 | 5503065      | 5603065      |             |
| 3x70       | 5103070  | 5203070 | 5303070 | 5403070 | 5503070      | 5603070      |             |
| 3x75       | 5103075  | 5203075 | 5303075 | 5403075 | 5503075      | 5603075      |             |
| 3x80       | 5103080  | 5203080 | 5303080 | 5403080 | 5503080      | 5603080      |             |
| 3x85       | 5103085  | 5203085 | 5303085 | 5403085 | 5503085      | 5603085      |             |
| 3x90       | 5103090  | 5203090 | 5303090 | 5403090 | 5503090      | 5603090      |             |
| 3x95       | 5103095  | 5203095 | 5303095 | 5403095 | 5503095      | 5603095      |             |
| 3x100      | 5103100  | 5203100 | 5303100 | 5403100 | 5503100      | 5603100      |             |
| 3x105      | 5103105  | 5203105 | 5303105 | 5403105 | 5503105      | 5603105      |             |
| 3x120      | 5103120  | 5203120 | 5303120 | 5403120 | 5503120      | 5603120      |             |
| 3x150      | 5103150  | 5203150 | 5303150 | 5403150 | 5503150      | 5603150      |             |
| 3x210      | 5103210  | 5203210 | 5303210 | 5403210 | 5503210      | 5603210      |             |

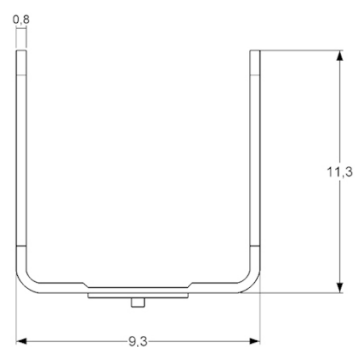
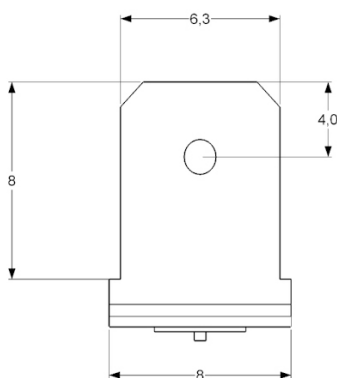


## CD Earhtags | CD Flachstecker | CD Svejsebolte – CD Spadestik



| Varenr. | Beskrivelse | Materiale |
|---------|-------------|-----------|
| 4072200 | Spadestik   | St 37-3   |
| 4072014 | Spadestik   | Messing   |
| 4072030 | Spadestik   | Aluminium |
| 4072065 | Spadestik   | rustfri   |

## CD Earhtags double | CD Flachstecker | CD Svejsebolte – CD Spadestik



| Varenr. | Beskrivelse       | Materiale |
|---------|-------------------|-----------|
| 4072023 | Dobbelt spadestik | St 37-3   |



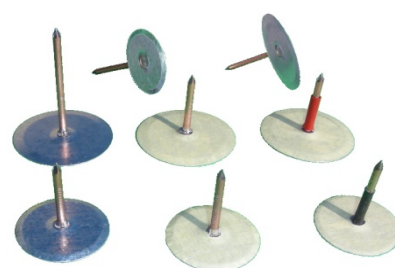
## Cuphead pins | Tellerclips | Tallerkenklips

### Tallerkenstift

Isoleringsstift og sikringsklips kombineret.

Findes i 3 udgaver: Uden isolering, klips

isoleret og klip og stift isoleret



| Tallerkenklips (ingen isolering) 30 mm |   |          |
|--|---|----------|
| Produkt nr.                            | Beskrivelse                                   | Længde   |
| 51-27-3015                             | Tallerkenklips Ø30x15x2,7mm, ingen isolering  | 15 mm    |
| 51-27-3019                             | Tallerkenklips Ø30x19x2,7mm, ingen isolering  | 20 mm    |
| 51-27-3022                             | Tallerkenklips Ø30x22x2,7mm, ingen isolering  | 20 HD*   |
| 51-27-3025                             | Tallerkenklips Ø30x25x2,7mm, ingen isolering  | 25 mm    |
| 51-27-3028                             | Tallerkenklips Ø30x28x2,7mm, ingen isolering  | 30 mm    |
| 51-27-3032                             | Tallerkenklips Ø30x32x2,7mm, ingen isolering  | 30 mm HD |
| 51-27-3038                             | Tallerkenklips Ø30x38x2,7mm, ingen isolering  | 40 mm    |
| 51-27-3042                             | Tallerkenklips Ø30x42x2,7mm, ingen isolering  | 40 mm HD |
| 51-27-3048                             | Tallerkenklips Ø30x48x2,7mm, ingen isolering  | 50 mm    |
| 51-27-3052                             | Tallerkenklips Ø30x52x2,7mm, ingen isolering  | 50 mm HD |
| 51-27-3058                             | Tallerkenklips Ø30x58x2,7mm, ingen isolering  | 60 mm    |
| 51-27-3060                             | Tallerkenklips Ø30x62x2,7mm, ingen isolering  | 60 mm HD |
| 51-27-3068                             | Tallerkenklips Ø30x68x2,7mm, ingen isolering  | 70 mm    |
| 51-27-3072                             | Tallerkenklips Ø30x72x2,7mm, ingen isolering  | 70 mm HD |
| 51-27-3080                             | Tallerkenklips Ø30x80x2,7mm, ingen isolering  | 80 mm    |
| 51-27-3082                             | Tallerkenklips Ø30x82x2,7mm, ingen isolering  | 82 mm    |
| 51-27-3090                             | Tallerkenklips Ø30x90x2,7mm, ingen isolering  | 90 mm    |
| 51-27-30100                            | Tallerkenklips Ø30x100x2,7mm, ingen isolering | 100 mm   |

| Tallerkenklips (klips isoleret) 30 mm |  |          |
|---------------------------------------|--|----------|
| Produkt nr.                           | Beskrivelse                                  | Længde   |
| 51-27-3015HI                          | Tallerkenklips Ø30x15x2,7mm, Klips Isoleret  | 15 mm    |
| 51-27-3019HI                          | Tallerkenklips Ø30x19x2,7mm, Klips Isoleret  | 20 mm    |
| 51-27-3022HI                          | Tallerkenklips Ø30x22x2,7mm, Klips Isoleret  | 20 mm HD |
| 51-27-3025HI                          | Tallerkenklips Ø30x25x2,7mm, Klips Isoleret  | 25 mm    |
| 51-27-3028HI                          | Tallerkenklips Ø30x28x2,7mm, Klips Isoleret  | 30 mm    |
| 51-27-3032HI                          | Tallerkenklips Ø30x32x2,7mm, Klips Isoleret  | 30 mm HD |
| 51-27-3038HI                          | Tallerkenklips Ø30x38x2,7mm, Klips Isoleret  | 40 mm    |
| 51-27-3042HI                          | Tallerkenklips Ø30x42x2,7mm, Klips Isoleret  | 40 mm HD |
| 51-27-3048HI                          | Tallerkenklips Ø30x48x2,7mm, Klips Isoleret  | 50 mm    |
| 51-27-3052HI                          | Tallerkenklips Ø30x52x2,7mm, Klips Isoleret  | 50 mm HD |
| 51-27-3058HI                          | Tallerkenklips Ø30x58x2,7mm, Klips Isoleret  | 60 mm    |
| 51-27-3060HI                          | Tallerkenklips Ø30x62x2,7mm, Klips Isoleret  | 60 mm HD |
| 51-27-3068HI                          | Tallerkenklips Ø30x68x2,7mm, Klips Isoleret  | 70 mm    |
| 51-27-3072HI                          | Tallerkenklips Ø30x72x2,7mm, Klips Isoleret  | 70 mm HD |
| 51-27-3080HI                          | Tallerkenklips Ø30x80x2,7mm, Klips Isoleret  | 80 mm    |
| 51-27-3082HI                          | Tallerkenklips Ø30x82x2,7mm, Klips Isoleret  | 80 mm HD |
| 51-27-3090HI                          | Tallerkenklips Ø30x90x2,7mm, Klips Isoleret  | 90 mm    |
| 51-27-30100HI                         | Tallerkenklips Ø30x100x2,7mm, Klips Isoleret | 100 mm   |



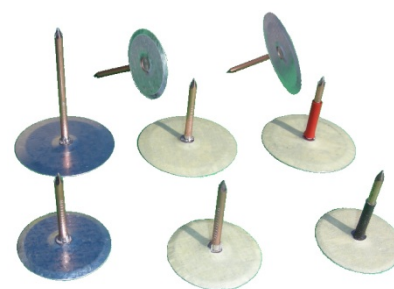
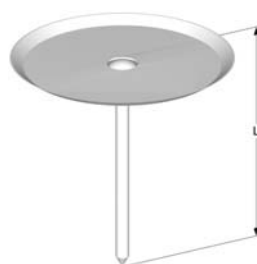
## Cuphead pins | Tellerclips | Tallerkenklips

### Tallerkenstift

Isoleringsstift og sikringsklips kombineret.

Findes i 3 udgaver: Uden isolering, klips

isoleret og klip og stift isoleret



| Tallerkenklips (klip og pin isoleret) 30 mm |  |          |
|---|--|----------|
| Produkt nr.                                 | Beskrivelse  | Længde   |
| 51-27-3015HPI                               | Tallerkenklips Ø30x15x2,7mm, Klip og Pin Isoleret  | 15 mm    |
| 51-27-3019HPI                               | Tallerkenklips Ø30x19x2,7mm, Klip og Pin Isoleret  | 20 mm    |
| 51-27-3022HPI                               | Tallerkenklips Ø30x22x2,7mm, Klip og Pin Isoleret  | 20 mm HD |
| 51-27-3025HPI                               | Tallerkenklips Ø30x25x2,7mm, Klip og Pin Isoleret  | 25 mm    |
| 51-27-3028HPI                               | Tallerkenklips Ø30x28x2,7mm, Klip og Pin Isoleret  | 30 mm    |
| 51-27-3032HPI                               | Tallerkenklips Ø30x32x2,7mm, Klip og Pin Isoleret  | 30 mm HD |
| 51-27-3038HPI                               | Tallerkenklips Ø30x38x2,7mm, Klip og Pin Isoleret  | 40 mm    |
| 51-27-3042HPI                               | Tallerkenklips Ø30x42x2,7mm, Klip og Pin Isoleret  | 40 mm HD |
| 51-27-3048HPI                               | Tallerkenklips Ø30x48x2,7mm, Klip og Pin Isoleret  | 50 mm    |
| 51-27-3052HPI                               | Tallerkenklips Ø30x52x2,7mm, Klip og Pin Isoleret  | 50 mm HD |
| 51-27-3058HPI                               | Tallerkenklips Ø30x58x2,7mm, Klip og Pin Isoleret  | 60 mm    |
| 51-27-3060HPI                               | Tallerkenklips Ø30x62x2,7mm, Klip og Pin Isoleret  | 60 mm HD |
| 51-27-3068HPI                               | Tallerkenklips Ø30x68x2,7mm, Klip og Pin Isoleret  | 70 mm    |
| 51-27-3072HPI                               | Tallerkenklips Ø30x72x2,7mm, Klip og Pin Isoleret  | 70 mm HD |
| 51-27-3080HPI                               | Tallerkenklips Ø30x80x2,7mm, Klip og Pin Isoleret  | 80 mm    |
| 51-27-3082HPI                               | Tallerkenklips Ø30x82x2,7mm, Klip og Pin Isoleret  | 80 mm HD |
| 51-27-3090HPI                               | Tallerkenklips Ø30x90x2,7mm, Klip og Pin Isoleret  | 90 mm    |
| 51-27-30100HPI                              | Tallerkenklips Ø30x100x2,7mm, Klip og Pin Isoleret | 100 mm   |

| Tallerkenklips (ingen isolering) 38 mm |   |          |
|--|---|----------|
| Produkt nr.                            | Beskrivelse                                   | Længde   |
| 51-27-3815                             | Tallerkenklips Ø38x15x2,7mm, ingen isolering  | 15 mm    |
| 51-27-3819                             | Tallerkenklips Ø38x19x2,7mm, ingen isolering  | 20 mm    |
| 51-27-3822                             | Tallerkenklips Ø38x22x2,7mm, ingen isolering  | 20 mm HD |
| 51-27-3825                             | Tallerkenklips Ø38x25x2,7mm, ingen isolering  | 25 mm    |
| 51-27-3828                             | Tallerkenklips Ø38x28x2,7mm, ingen isolering  | 30 mm    |
| 51-27-3832                             | Tallerkenklips Ø38x32x2,7mm, ingen isolering  | 30 mm HD |
| 51-27-3838                             | Tallerkenklips Ø38x38x2,7mm, ingen isolering  | 40 mm    |
| 51-27-3842                             | Tallerkenklips Ø38x42x2,7mm, ingen isolering  | 40 mm HD |
| 51-27-3848                             | Tallerkenklips Ø38x48x2,7mm, ingen isolering  | 50 mm    |
| 51-27-3852                             | Tallerkenklips Ø38x52x2,7mm, ingen isolering  | 50 mm HD |
| 51-27-3858                             | Tallerkenklips Ø38x58x2,7mm, ingen isolering  | 60 mm    |
| 51-27-3860                             | Tallerkenklips Ø38x62x2,7mm, ingen isolering  | 60 mm HD |
| 51-27-3868                             | Tallerkenklips Ø38x68x2,7mm, ingen isolering  | 70 mm    |
| 51-27-3872                             | Tallerkenklips Ø38x72x2,7mm, ingen isolering  | 70 mm HD |
| 51-27-3880                             | Tallerkenklips Ø38x80x2,7mm, ingen isolering  | 80 mm    |
| 51-27-3890                             | Tallerkenklips Ø38x90x2,7mm, ingen isolering  | 90 mm    |
| 51-27-38100                            | Tallerkenklips Ø38x100x2,7mm, ingen isolering | 100 mm   |



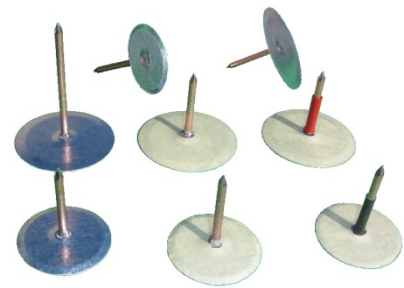
## Cuphead pins | Tellerclips | Tallerkenklips

### Tallerkenstift

Isoleringstift og sikringsklips kombineret.

Findes i 3 udgaver: Uden isolering, klips

isoleret og klip og stift isoleret



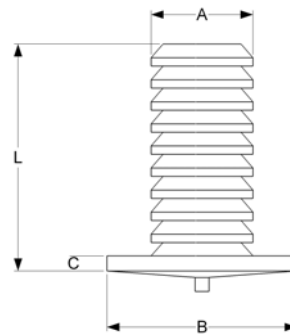
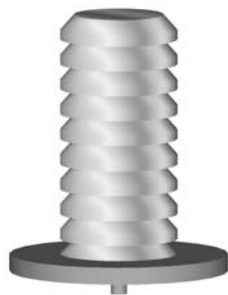
| Tallerkenklips (klips isoleret) 38 mm |  |          |
|---------------------------------------|--|----------|
| Produkt nr.                           | Beskrivelse                                  | Længde   |
| 51-27-3815HI                          | Tallerkenklips Ø38x15x2,7mm, Klips Isoleret  | 15 mm    |
| 51-27-3819HI                          | Tallerkenklips Ø38x19x2,7mm, Klips Isoleret  | 20 mm    |
| 51-27-3822HI                          | Tallerkenklips Ø38x22x2,7mm, Klips Isoleret  | 20 mm HD |
| 51-27-3825HI                          | Tallerkenklips Ø38x25x2,7mm, Klips Isoleret  | 25 mm    |
| 51-27-3828HI                          | Tallerkenklips Ø38x28x2,7mm, Klips Isoleret  | 30 mm    |
| 51-27-3832HI                          | Tallerkenklips Ø38x32x2,7mm, Klips Isoleret  | 30 mm HD |
| 51-27-3838HI                          | Tallerkenklips Ø38x38x2,7mm, Klips Isoleret  | 40 mm    |
| 51-27-3842HI                          | Tallerkenklips Ø38x42x2,7mm, Klips Isoleret  | 40 mm HD |
| 51-27-3848HI                          | Tallerkenklips Ø38x48x2,7mm, Klips Isoleret  | 50 mm    |
| 51-27-3852HI                          | Tallerkenklips Ø38x52x2,7mm, Klips Isoleret  | 50 mm HD |
| 51-27-3858HI                          | Tallerkenklips Ø38x58x2,7mm, Klips Isoleret  | 60 mm    |
| 51-27-3860HI                          | Tallerkenklips Ø38x62x2,7mm, Klips Isoleret  | 60 mm HD |
| 51-27-3868HI                          | Tallerkenklips Ø38x68x2,7mm, Klips Isoleret  | 70 mm    |
| 51-27-3872HI                          | Tallerkenklips Ø38x72x2,7mm, Klips Isoleret  | 70 mm HD |
| 51-27-3880HI                          | Tallerkenklips Ø38x80x2,7mm, Klips Isoleret  | 80 mm    |
| 51-27-3890HI                          | Tallerkenklips Ø38x90x2,7mm, Klips Isoleret  | 90 mm    |
| 51-27-38100HI                         | Tallerkenklips Ø38x100x2,7mm, Klips Isoleret | 100 mm   |

| Tallerkenklips (klip og pin isoleret) 38 mm |  |          |
|---|--|----------|
| Produkt nr.                                 | Beskrivelse  | Længde   |
| 51-27-3815HPI                               | Tallerkenklips Ø38x15x2,7mm, Klip og Pin Isoleret  | 15 mm    |
| 51-27-3819HPI                               | Tallerkenklips Ø38x19x2,7mm, Klip og Pin Isoleret  | 20 mm    |
| 51-27-3822HPI                               | Tallerkenklips Ø38x22x2,7mm, Klip og Pin Isoleret  | 20 mm HD |
| 51-27-3825HPI                               | Tallerkenklips Ø38x25x2,7mm, Klip og Pin Isoleret  | 25 mm    |
| 51-27-3828HPI                               | Tallerkenklips Ø38x28x2,7mm, Klip og Pin Isoleret  | 30 mm    |
| 51-27-3832HPI                               | Tallerkenklips Ø38x32x2,7mm, Klip og Pin Isoleret  | 30 mm HD |
| 51-27-3838HPI                               | Tallerkenklips Ø38x38x2,7mm, Klip og Pin Isoleret  | 40 mm    |
| 51-27-3842HPI                               | Tallerkenklips Ø38x42x2,7mm, Klip og Pin Isoleret  | 40 mm HD |
| 51-27-3848HPI                               | Tallerkenklips Ø38x48x2,7mm, Klip og Pin Isoleret  | 50 mm    |
| 51-27-3852HPI                               | Tallerkenklips Ø38x52x2,7mm, Klip og Pin Isoleret  | 50 mm HD |
| 51-27-3858HPI                               | Tallerkenklips Ø38x58x2,7mm, Klip og Pin Isoleret  | 60 mm    |
| 51-27-3860HPI                               | Tallerkenklips Ø38x62x2,7mm, Klip og Pin Isoleret  | 60 mm HD |
| 51-27-3868HPI                               | Tallerkenklips Ø38x68x2,7mm, Klip og Pin Isoleret  | 70 mm    |
| 51-27-3872HPI                               | Tallerkenklips Ø38x72x2,7mm, Klip og Pin Isoleret  | 70 mm HD |
| 51-27-3880HPI                               | Tallerkenklips Ø38x80x2,7mm, Klip og Pin Isoleret  | 80 mm    |
| 51-27-3890HPI                               | Tallerkenklips Ø38x90x2,7mm, Klip og Pin Isoleret  | 90 mm    |
| 51-27-38100HPI                              | Tallerkenklips Ø38x100x2,7mm, Klip og Pin Isoleret | 100 mm   |





## Xmas tree studs

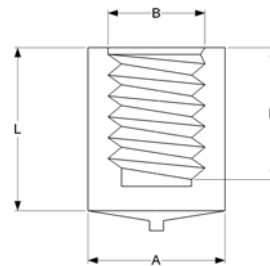


| A   | B           | C                                      | L                | Code |
|-----|-------------|--|------------------|------|
| 4,0 | 5,00 / 8,00 | MS & SS: 0,9 max<br>Aluminium: 1,5 max | 5,00 to 50,00 mm | 201  |
| 5,0 | 6,50 / 7,30 |  |                  |      |
| 6,0 | 7,50 / 8,30 |  |                  |      |

| Material | LOW CARBON HIGH QUALITY MILD STEEL | COPPER PLATE |
|----------|------------------------------------|--------------|
|          | STAINLESS STEEL SS304              | BRIGHT       |
|          | ALUMINIUM ALLOY                    | BRIGHT       |
|          | BRASS LEAD FREE                    | BRIGHT       |

\*All dimensions in mm.

## CD Tapped Stud no flange | CD Gevindbolte uden flange



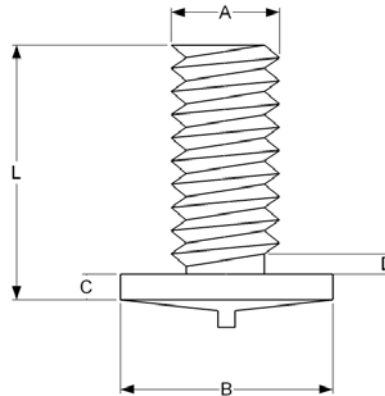
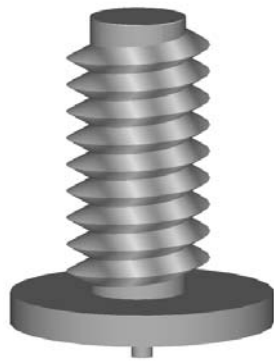
| A     | B            | L                          | E                                | Code |
|-------|--------------|----------------------------|----------------------------------|------|
| 5,00  | M3           | Min: 5,00<br>25,00 special | Standard: 12,00<br>25,00 special | 221  |
| 6,00  | M3/M4        |                            |                                  |      |
| 8,00  | M3/M4/M5/M6  |                            |                                  |      |
| 10,00 | M4/M5/M6/M8  |                            |                                  |      |
| 12,00 | M5/M6/M8/M10 |                            |                                  |      |

| Material | LOW CARBON HIGH QUALITY MILD STEEL | COPPER PLATE |
|----------|------------------------------------|--------------|
|          | STAINLESS STEEL SS304              | BRIGHT       |
|          | ALUMINIUM ALLOY                    | BRIGHT       |
|          | BRASS LEAD FREE                    | BRIGHT       |

\*All dimensions in mm.



## UNC Threaded stud full flange | UNC Gevindbolte fuld flange



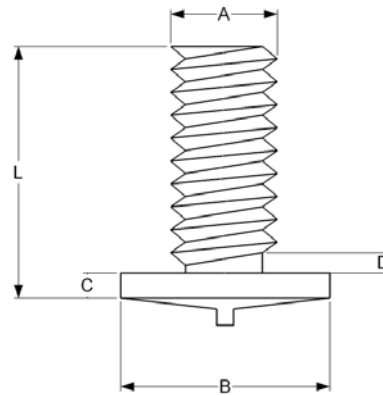
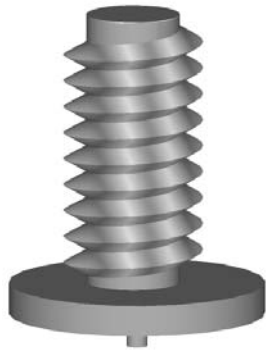
| A         | B           | C  | D        | L                                    | Code                         |
|-----------|-------------|--|----------|--------------------------------------|------------------------------|
| 4-40 UNC  | 4,62/4,87   | MS & SS: 0,90<br>max<br>Brass &<br>Aluminium:<br>11,50 Max | 1,50 Max | 5,00 mm to<br>50,00mm as<br>standard | 2001<br>2002<br>2003<br>2004 |
| 6-32 UNC  | 5,41/5,66   |  |          |                                      |                              |
| 8-32 UNC  | 6,22/6,47   |  |          |                                      |                              |
| 10-24 UNC | 6,22/6,74   |  |          |                                      |                              |
| 1/4 UNC   | 7,79/8,05   |  |          |                                      |                              |
| 5/16 UNC  | 9,30/9,70   | 1,00 max   |          |                                      |                              |
| 3/8 UNC   | 12,00/12,50 |  |          |                                      |                              |

| Material | LOW CARBON HIGH QUALITY MILD STEEL | COPPER PLATE |
|----------|------------------------------------|--------------|
|          | STAINLESS STEEL SS304              | BRIGHT       |
|          | ALUMINIUM ALLOY                    | BRIGHT       |
|          | BRASS LEAD FREE                    | BRIGHT       |

\*All dimensions in mm.



## UNF Threaded stud full flange | UNF Gevindbolte fuld flange



| A         | B           | C  | D        | L                                    | Code                         |
|-----------|-------------|--|----------|--------------------------------------|------------------------------|
| 4-48 UNF  | 4,62/4,87   | MS & SS: 0,90<br>max<br>Brass &<br>Aluminium:<br>11,50 Max | 1,50 Max | 5,00 mm to<br>50,00mm as<br>standard | 2001<br>2002<br>2003<br>2004 |
| 6-40 UNF  | 5,41/5,66   |  |          |                                      |                              |
| 8-36 UNF  | 6,22/6,47   |  |          |                                      |                              |
| 10-32 UNF | 6,22/6,74   |  |          |                                      |                              |
| 1/4 UNF   | 7,79/8,05   |  |          |                                      |                              |
| 5/16 UNF  | 9,30/9,70   | 1,00 max   |          |                                      |                              |
| 3/8 UNF   | 12,00/12,50 |  |          |                                      |                              |

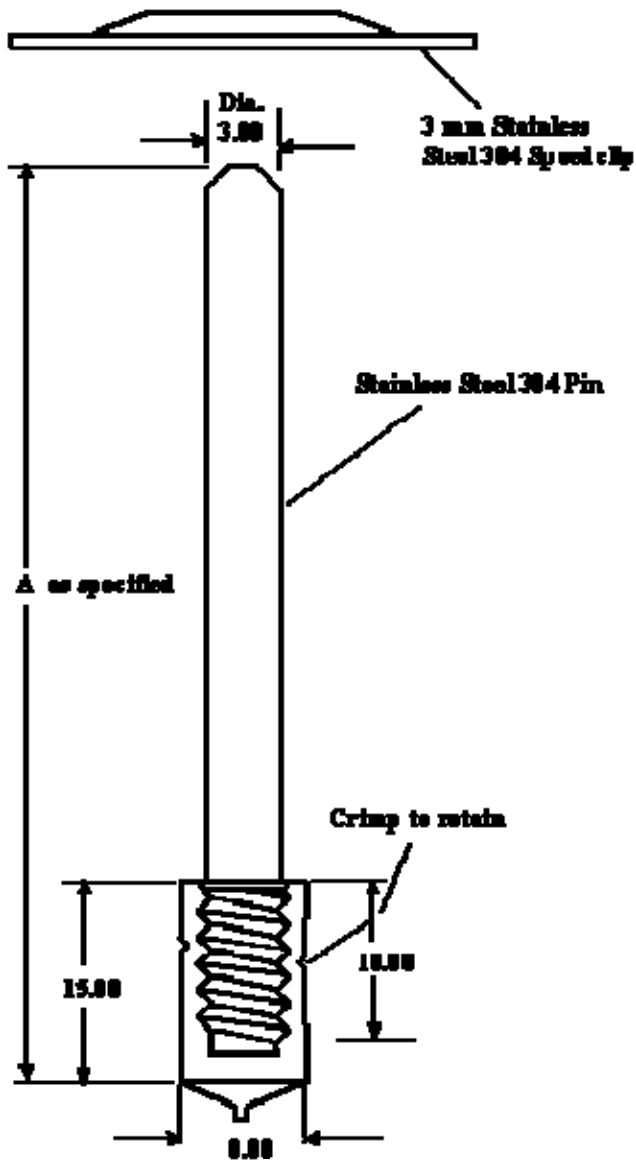
| Material | LOW CARBON HIGH QUALITY MILD STEEL | COPPER PLATE |
|----------|------------------------------------|--------------|
|          | STAINLESS STEEL SS304              | BRIGHT       |
|          | ALUMINIUM ALLOY                    | BRIGHT       |
|          | BRASS LEAD FREE                    | BRIGHT       |

\*All dimensions in mm.



Bi Metal Iso Stift Stål / alu,

Bi Metalic Iso Pin Steel / Alu - Verbundstift Stahl / Alu



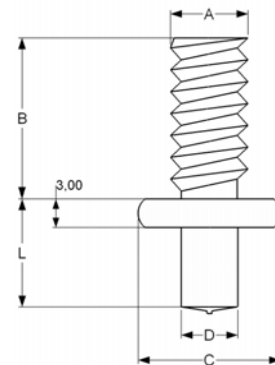
| Art nr     | Part nr | Bestell nr | Mat.    |
|------------|---------|------------|---------|
| 241-03-040 |         |            | Almg/st |
| 241-03-050 |         |            | Almg/st |
| 241-03-060 |         |            | Almg/st |
| 241-03-070 |         |            | Almg/st |
| 241-03-085 |         |            | Almg/st |
| 241-03-100 |         |            | Almg/st |
| 241-03-115 |         |            | Almg/st |
| 242-03-040 |         |            | Almg/ss |
| 242-03-050 |         |            | Almg/ss |
| 242-03-060 |         |            | Almg/ss |
| 242-03-070 |         |            | Almg/ss |
| 242-03-085 |         |            | Almg/ss |
| 242-03-100 |         |            | Almg/ss |
| 242-03-115 |         |            | Almg/ss |

| Art nr     | Part nr | Bestell nr | Mat.    |
|------------|---------|------------|---------|
| 242-03-040 |         |            | Almg/SS |
| 242-03-050 |         |            | Almg/SS |
| 242-03-060 |         |            | Almg/SS |
| 242-03-070 |         |            | Almg/SS |
| 242-03-085 |         |            | Almg/SS |
| 242-03-100 |         |            | Almg/SS |
| 242-03-115 |         |            | Almg/SS |
| 242-03-040 |         |            | Almg/SS |
| 242-03-050 |         |            | Almg/SS |
| 242-03-060 |         |            | Almg/SS |
| 242-03-070 |         |            | Almg/SS |
| 242-03-085 |         |            | Almg/SS |
| 242-03-100 |         |            | Almg/SS |
| 242-03-115 |         |            | Almg/SS |



## CD Collar Studs | CD Kravebolt

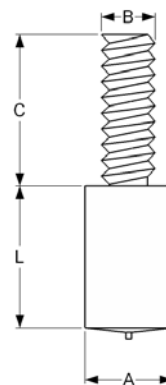
| A   | B                        | C     | D    | L                       | Code |
|-----|--------------------------|-------|------|-------------------------|------|
| M6  | Min: 12,00<br>Max: 25,00 | 12,00 | 5,20 | Min: 6,00<br>Max: 25,00 | 6,24 |
| M8  |                          | 14,00 | 7,05 |                         |      |
| M10 |                          | 16,00 | 8,88 |                         |      |



| Material | LOW CARBON HIGH QUALITY MILD STEEL | COPPER PLATE |
|----------|------------------------------------|--------------|
|          | STAINLESS STEEL SS304              | BRIGHT       |
|          | ALUMINIUM ALLOY                    | BRIGHT       |
|          | BRASS LEAD FREE                    | BRIGHT       |

\*All dimensions in mm.

## CD Shoulder Studs | CD Skulderbolt



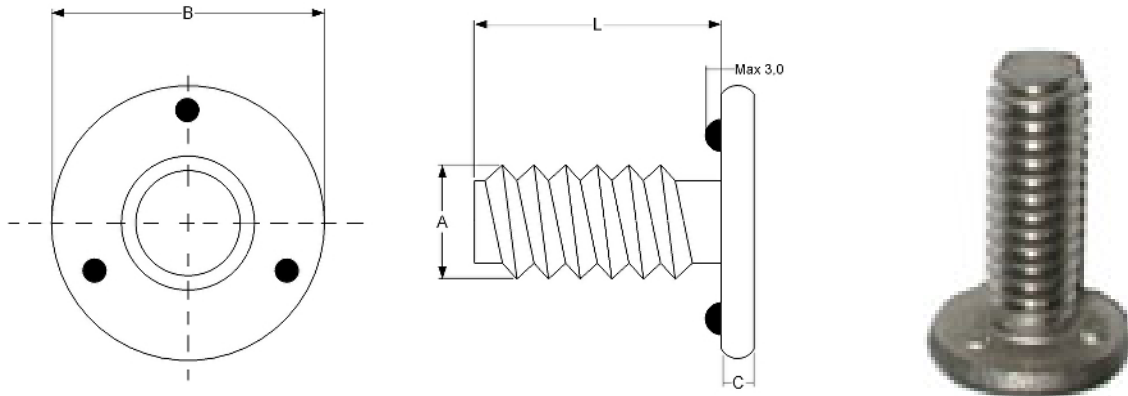
| A     | B            | C          | L          | Code |
|-------|--------------|------------|------------|------|
| 4,00  | M2,5/M3      | Max: 50,00 | Max: 75,00 | 243  |
| 5,00  | M3/M4        |            |            |      |
| 6,00  | M3/M4/M5     |            |            |      |
| 8,00  | M4/M5/M6     |            |            |      |
| 10,00 | M4/M5/M6/M8  |            |            |      |
| 12,00 | M6/M6/M8/M10 |            |            |      |

| Material | LOW CARBON HIGH QUALITY MILD STEEL | COPPER PLATE |
|----------|------------------------------------|--------------|
|          | STAINLESS STEEL SS304              | BRIGHT       |
|          | ALUMINIUM ALLOY                    | BRIGHT       |
|          | BRASS LEAD FREE                    | BRIGHT       |

\*All dimensions in mm.



## BW Weld Stud pkt. up | Punktsvejsbolt | BW svejsbolt pkt. op



| A   | B             | C           | L  | Code |
|-----|---------------|-------------|--|------|
| M3  | 5.60 / 6.50   | 1.10 / 1.50 | Standard: 5,00 mm to 50 mm<br>Up to 100,00 mm as special | 402  |
| M4  | 7.60 / 8.40   | 1.35 / 1.65 |  |      |
| M5  | 9.60 / 10.40  | 1.75 / 2.16 |  |      |
| M6  | 11.45 / 12.55 | 1.90 / 2.64 |  |      |
| M8  | 15.45 / 16.55 | 2.40 / 3.15 |  |      |
| M10 | 19.35 / 20.65 | 2.55 / 4.15 |  |      |
| M12 | 23.50 / 25.50 | 3.50 / 4.50 |  |      |

| Material | LOW CARBON HIGH QUALITY MILD STEEL | COPPER PLATE |
|----------|------------------------------------|--------------|
|          | STAINLESS STEEL SS304              | BRIGHT       |
|          | ALUMINIUM ALLOY                    | BRIGHT       |
|          | BRASS LEAD FREE                    | BRIGHT       |

## BW weld stud pkt. down | Punktsvejsbolt | BW svejsbolt pkt. ned



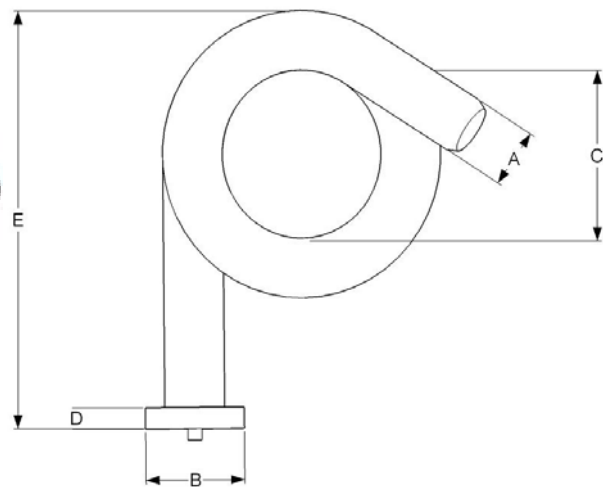
| "A" | "B"           | "C"         | "L"   | CODE |
|-----|---------------|-------------|---|------|
| M3  | 5.60 / 6.50   | 1.10 / 1.50 | 5,00 mm to 50,00 mm as standard.<br>Up to 100 mm as special | 403  |
| M4  | 7.60 / 8.40   | 1.35 / 1.65 |   |      |
| M5  | 9.60 / 10.40  | 1.75 / 2.16 |   |      |
| M6  | 11.45 / 12.55 | 1.90 / 2.64 |   |      |
| M8  | 15.45 / 16.55 | 2.40 / 3.15 |   |      |
| M10 | 19.35 / 20.65 | 2.55 / 4.15 |   |      |
| M12 | 23.50 / 25.50 | 3.50 / 4.50 |   |      |

MATERIAL: LOW CARBON HIGH QUALITY MILD STEEL STAINLESS STEEL SS304 (natural bright)

\* All dimensions in mm.



## CD Pigtail Weld Studs | CD Grissehale svejsebolt | CD Greisenhalter



| Materiale        | Produktnr. | A   | B   | C   | D    | E    |
|------------------|------------|-----|-----|-----|------|------|
| Mild Steel       | 2141-3001  | 2,2 | 5,0 | 3,0 | 0,75 | 11,0 |
| 216 Rustfritstål | 2141-3001  |     |     |     |      |      |
| Aluminium        | 2143-3001  |     |     |     |      |      |